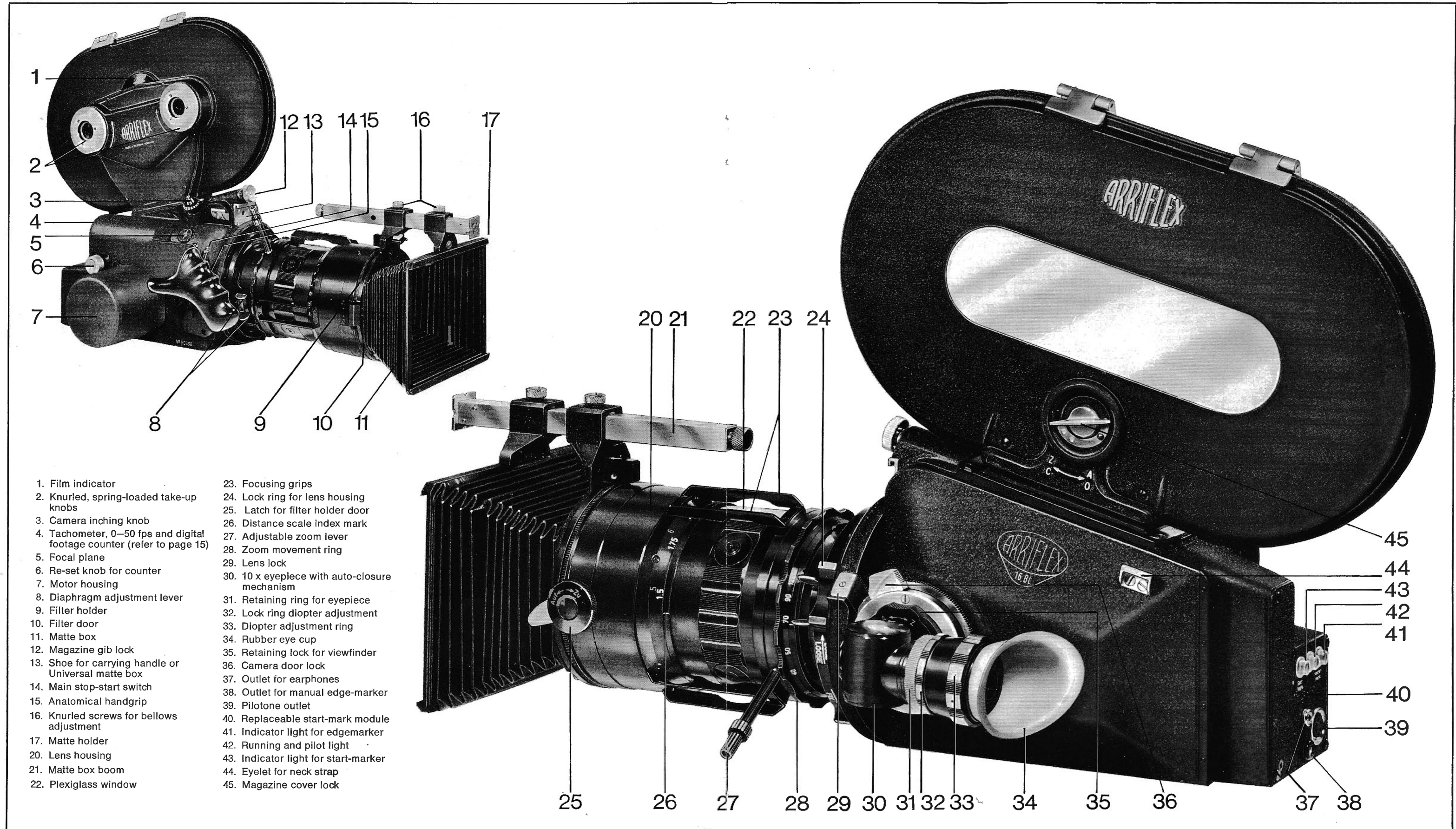


ARRIFLEX 16 BL



- | | |
|------------------------------------------------------------------------|-----------------------------------------------|
| 1. Film indicator | 23. Focusing grips |
| 2. Knurled, spring-loaded take-up knobs | 24. Lock ring for lens housing |
| 3. Camera inching knob | 25. Latch for filter holder door |
| 4. Tachometer, 0-50 fps and digital footage counter (refer to page 15) | 26. Distance scale index mark |
| 5. Focal plane | 27. Adjustable zoom lever |
| 6. Re-set knob for counter | 28. Zoom movement ring |
| 7. Motor housing | 29. Lens lock |
| 8. Diaphragm adjustment lever | 30. 10 x eyepiece with auto-closure mechanism |
| 9. Filter holder | 31. Retaining ring for eyepiece |
| 10. Filter door | 32. Lock ring diopter adjustment |
| 11. Matte box | 33. Diopter adjustment ring |
| 12. Magazine gib lock | 34. Rubber eye cup |
| 13. Shoe for carrying handle or Universal matte box | 35. Retaining lock for viewfinder |
| 14. Main stop-start switch | 36. Camera door lock |
| 15. Anatomical handgrip | 37. Outlet for earphones |
| 16. Knurled screws for bellows adjustment | 38. Outlet for manual edge-marker |
| 17. Matte holder | 39. Pilotone outlet |
| 20. Lens housing | 40. Replaceable start-mark module |
| 21. Matte box boom | 41. Indicator light for edgemarker |
| 22. Plexiglass window | 42. Running and pilot light |
| | 43. Indicator light for start-marker |
| | 44. Eyelet for neck strap |
| | 45. Magazine cover lock |